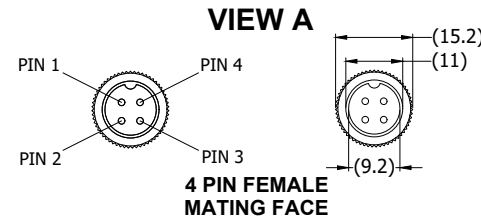
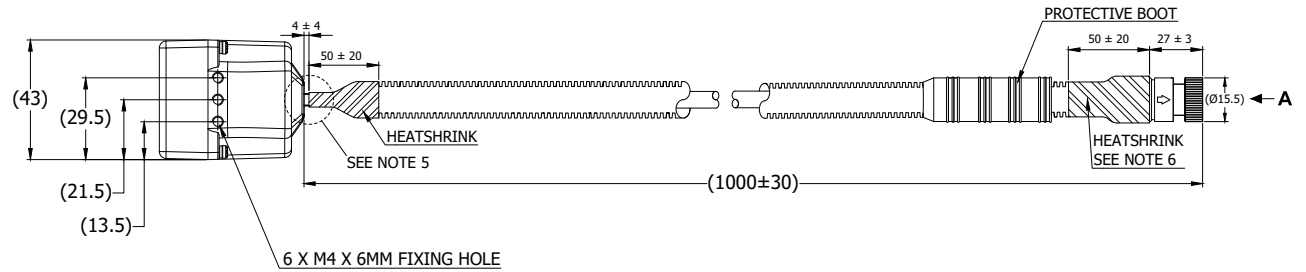
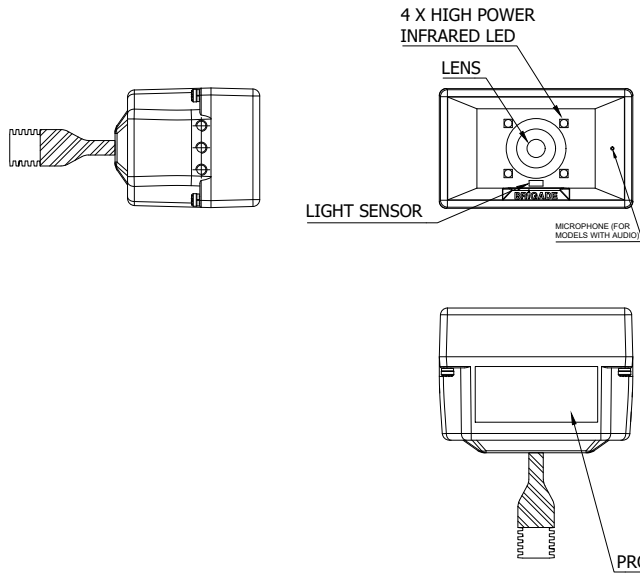
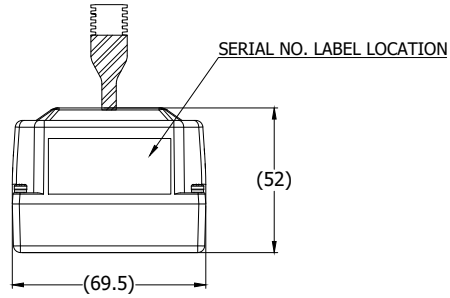


CHANGES FROM BASE PRODUCT VBV-790C-C (3346D) TO VBV-790C-C(NSCO) (6552)

- CHANGE:**
1. REMOVE RUBBER GROMMET
 2. CONDUIT AND HEATSHRINK ADDED TO CABLE
 3. REPLACE VBV-790C-C PD LBL WITH VBV-790C-C(NSCO) PD LBL
- OPERATION:**
1. NO CHANGE TO OPERATION

Revision Notes				
-				
APA: -	Drawn:-	Checked:-	Approved:-	Date: -



PIN #	WIRE COLOUR	DESCRIPTION
1	RED	+12V
2	BLACK/SHIELD	GND
3	WHITE	AUDIO
4	YELLOW	VIDEO

- NOTES:**
1. FINISH IS BLACK.
 2. FOR PRODUCT LABEL AND PACKAGING DETAILS REFER TO MASTER BOM.
 3. ANY CUSTOMER MODIFICATIONS OF THIS PRODUCT CAUSING SUBSEQUENT FAILURE IS NOT A RESPONSIBILITY OF BRIGADE.
 4. FIRMWARE VERSION OF BASE PRODUCT TO BE PRE-LOADED TO VBV-79XC MAIN BOARD DURING MANUFACTURE.
 5. HEAT SHRINK MUST BE FULLY SHRUNK & SECURE TO CABLE & CONDUIT.
 6. HEAT SHRINK MUST BE FULLY SHRUNK & SECURE TO CONNECTOR & CONDUIT.

PROPRIETARY NOTICE
 THIS DESIGN AND TECHNICAL INFORMATION APPEARING ON THIS DRAWING IS THE PROPERTY OF BRIGADE ELECTRONICS, AND IS DISCLOSED IN CONFIDENCE. IT IS NOT TO BE COPIED, REPRODUCED, REVEALED TO OR EXPROPRIATED BY OTHERS, EITHER IN WHOLE OR IN PART WITHOUT THE EXPRESS WRITTEN CONSENT OF BRIGADE ELECTRONICS.

Customer Approval
 F. TRIPOT 22/06/21

Assembly Pl Approval J.LAM 10/06/2021	Approved by B.CHILDS	Checked by A.FOSTER	Drawn by J.TYRRELL
Angle of Projection 	Units mm	Scale N/A	Released 24/06/21
Third Angle	Status RELEASED	VBV-790C-C(NSCO)	
	Part No 6552	BE-004560-00-21	

BRIGADE
 www.brigade-electronics.com